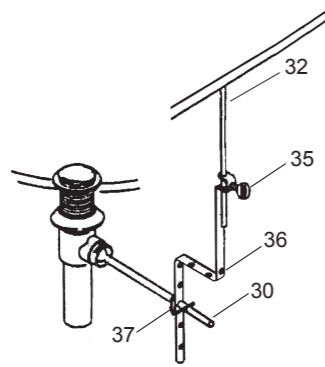


方式二：选用联动组件(35, 36 & 37)

根据提拉杆的长度，折弯联杆(36)。用V形夹(37)将联杆连接到球杆组件上，将提拉杆(32)插到联杆的孔中。调整提拉杆的高度，使提拉杆头底部同龙头本体相距约10mm。将球杆(30)下推到排水器全开位置。拧紧手捻螺丝(35)。



把尾管接上存水弯，尾管须插入存水弯25mm到50mm。

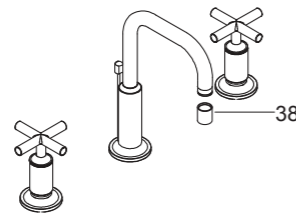
Way 2: Select the link kit(35, 36 & 37).

According to the lift rod length, bend the link(36). Connect the link onto ball lever rod with 'V' clip(37). Slide lift rod(32) into the hole on link. Position the lift rod, ensure the distance between the lift rod knob and the body is about 10mm. Push the ball lever rod down to the open position. Tighten thumb screw(35).

Connect the tailpiece to the trap. The tailpiece should extend 25mm to 50mm into the trap.

安装结果检查

确保已拧紧所有连接处。取下起泡器(38)。打开排水器。打开主供水源，检查泄漏。打开冷热水阀，使水流过出水口，除掉杂物，关闭阀。重新装回起泡器。



INSTALLATION CHECKOUT

Ensure that all connections are tight. Remove the aerator(38). Open the drain. Turn on the main supply and check for leaks. Open both hot and cold valves and run water through the spout to remove any debris. Turn the valve off. Reinstall the aerator.

清洗说明

适用于所有加工处理过的表面：以中性肥皂水清洗镀层表面，再以干净的软布彻底擦干整个表面，许多清洁剂，比如氨水、去污粉及洁厕灵等，会对电镀表面造成伤害，切忌使用。

有磨损性的清洁用具或清洁剂也不可适用于科勒牌的水龙头及其配件上。

CLEANING INSTRUCTIONS

All Finishes: Clean the finish with mild soap and warm water. Wipe entire surface completely dry with clean soft cloth. Many cleaners may contain chemicals, such as ammonia, chlorine, toilet cleaner etc, which could adversely affect the finish and are not recommended for cleaning.

Do not use abrasive cleaners or solvents on Kohler faucets and fittings.

KOHLER®

INSTALLATION INSTRUCTIONS

安装说明书

飘瑞诗

PURIST

Widespread Lavatory Faucet

14406T 14408T 8" 脸盆龙头

安装之前

所有的资料是按最新出版的产品资料编写而成。科勒公司保留任何时候不经通知即可改变产品特性、包装或产品可供类型的权利。

说明书包括重要的安装、保养及清洁方面的内容，请把这些资料交给用户阅读。

注意事项：

1. 一定要先彻底冲洗供水管以清除管道中的杂质。
2. 检查供水管有无损坏。如需要，进行替换。
3. 遵守当地管路安装条例。
4. 尽可能在安装脸盆之前安装水龙头。

BEFORE YOU BEGIN

All information is based on the latest product information available at the time of publication. Kohler Co. reserves the right to make changes in product characteristics, packaging, or availability at any time without notice.

Please leave these instructions for the consumer. They contain important information.

NOTES:

1. Flush the water supply pipes thoroughly to remove debris.
2. Inspect the supply tubing for damage. Replace as necessary.
3. Observe local plumbing codes.
4. If possible, install this faucet before installing the lavatory.

使用说明

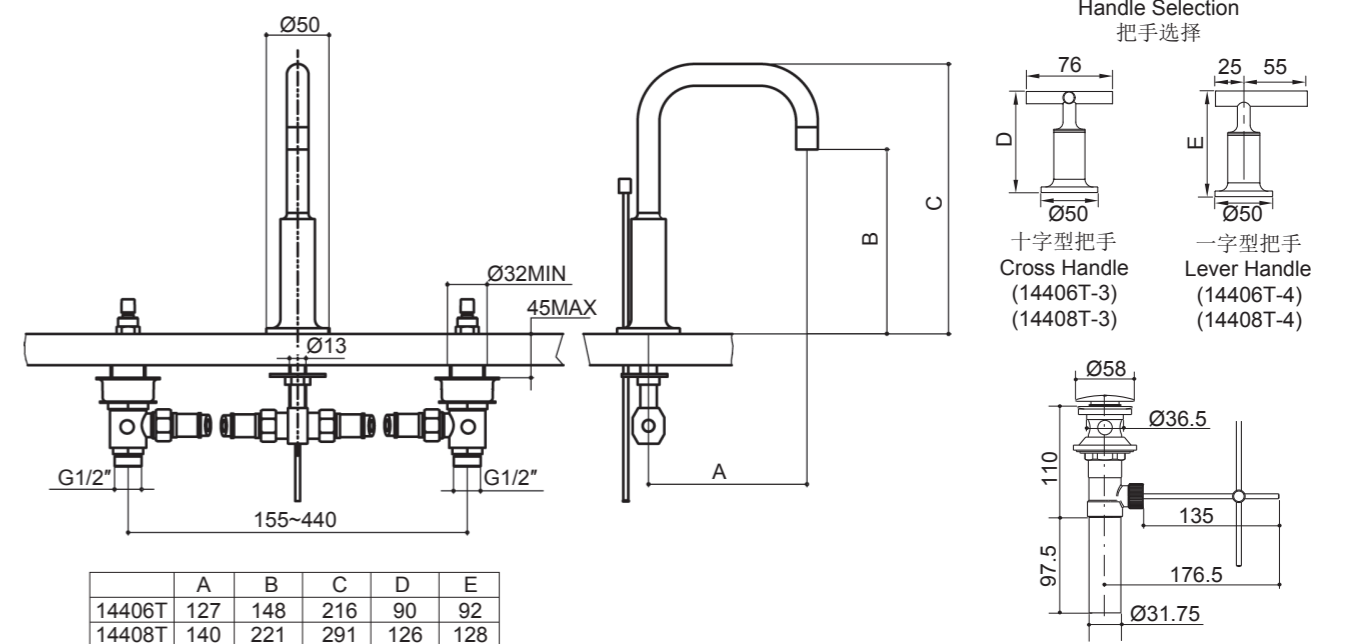
逆时针旋转左把手为开，顺时针旋转右把手为开(一字把手)。顺时针旋转左把手为开，逆时针旋转右把手为开(十字把手)。

HANDLE OPERATION

Left handle opens with one-quarter turn counter clockwise. Right handle opens with one-quarter turn clockwise(Lever Handle). Left handle opens with one-quarter turn clockwise. Right handle opens with one-quarter turn counter clockwise(Cross Handle).

安装尺寸

ROUGH-IN DIMENSIONS



安装步骤

INSTALLATION

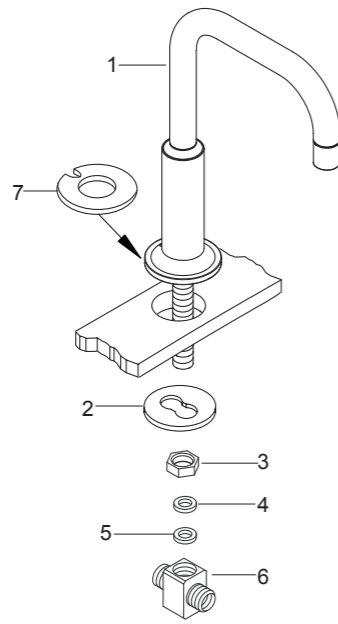
如何安装出水口

从出水口组件(1)上依次取下螺母(3)和金属垫片(2)。

将不干胶垫片(7)穿过牙管, 贴在出水口座下面, 垫片上的缺口与出水口座上的小孔对齐。

将出水口装于脸盆中孔。安装金属垫片和螺母。调整出水口位置, 用扳手拧紧螺母。

将带有塑料垫圈(5)、橡胶垫片(4)的T型接头(6)旋到出水口牙管上, 用手旋紧。



How To Install The Spout

Remove and retain the parts from the spout kit(1) according to the following order: nut(3) and metal washer(2).

Install the sticker washer(7) to the bottom of the spout through the shank. Make sure that the gap of the washer align the hole of the spout seat.

Fit the spout to the center hole of lavatory. Install the metal washer and nut. Adjust the position of the spout and securely tighten nut.

Thread the supply tee(6) with plastic gasket(5) and rubber washer(4) to the spout shank, tighten by hand.

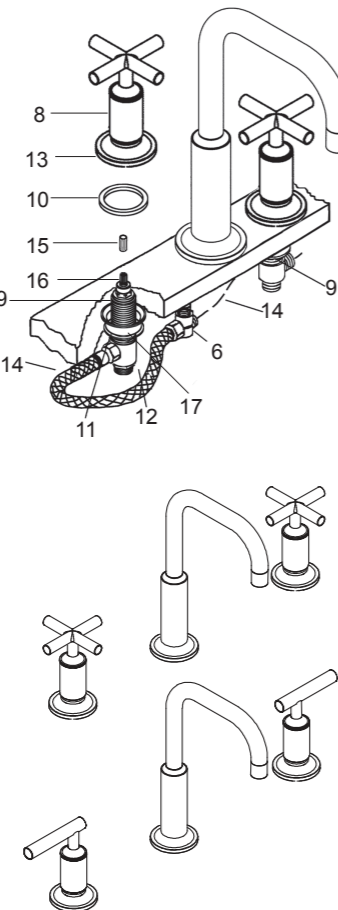
如何安装阀体、把手和软管

将把手组件(8)从阀体组件(9)上旋下。将不干胶垫片(10)贴在把手装饰盖(13)底面的槽中。将垫片放入软管(14)两端, 用软管连接阀体组件与T型接头(6)。

注意: 将软管(14)只能用在此处。

将带有碟形垫片(17)、垫片(11)和锁紧螺母(12)的阀体组件从脸盆下方插入安装孔(对于14406T-4和14408T-4, 面向龙头时贴有红色标记的阀体装在左侧)。将齿套(15)装在阀轴(16)上, 将把手组件旋紧到阀体上(面向龙头时, 带红色垫片的把手安装在左侧)。旋紧锁紧螺母(12)。

把手安装完毕, 处于关闭状态的位置如右图所示。



How To Install The Valve Bodies, The Handles and The Hoses

Remove the handle kit(8) from the side body(9). Install the sticker washer(10) into the groove on the bottom of the escutcheon(13). Put the washers into the ends of the hose(14). Connect the side bodies and supply tee(6) with hoses as shown in the figure.

NOTE: The hoses(14) should only be used here.

Insert the side body with dished washer(17), washer(11) and nut(12) through mounting holes from bottom of the lavatory(For 14406T-4 and 14408T-4, the side body with red mark on the left when facing the front of the faucet). Press the spline adapter(15) onto the valve stem(16), reinstall and tighten the handle kit(The handle with the red washer on the left when facing the front of the faucet). Tighten the nut(12).

The configuration shown is the correct position of the handles in the closed position.

如何安装排水器

将止水塞(18)、法兰盘(20)及垫片(21)从排水本体(25)取下, 在法兰盘底面套上垫片。尾管(27)从排水本体上取下。在尾管螺纹处须缠绕足以密封的密封胶或涂合适的密封胶, 装回排水本体。把带垫圈(22)、钢垫(23)及锁紧螺母(24)的排水本体由脸盆孔下部插入, 排水杆洞口(26)朝后方。

注意: 如果需要, 可直接在法兰盘底面沿周围涂一圈密封油灰, 而不使用垫片(21)。

把法兰盘旋入排水本体中。从下方用手拧紧锁紧螺母。把止水塞放入排水本体中, 调整以使止水塞末端的孔(19)靠近并对正排水杆洞口。

将接头(31)及固定螺母(28)取下, 把塑料垫片(29)及固定螺母装在球杆(30)上, 将球杆组件插入排水杆洞口(26)并穿过止水塞孔, 拧紧固定螺母。

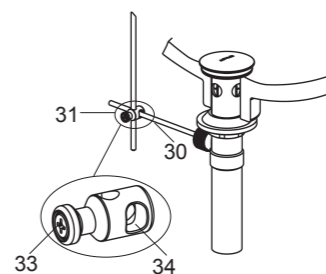
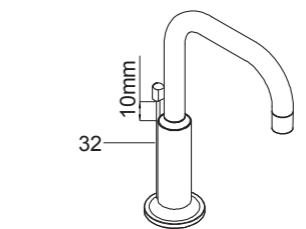
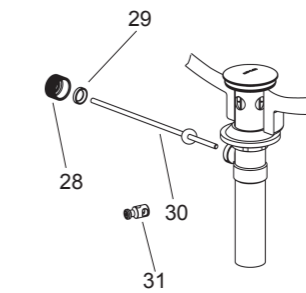
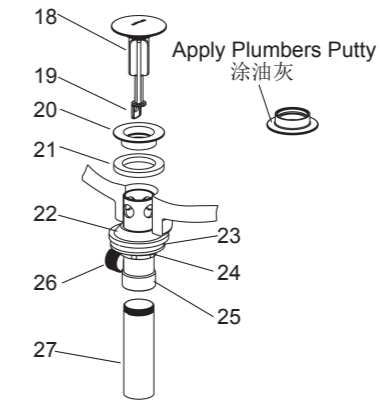
确保球杆指向脸盆后方, 并拧紧排水本体上的锁紧螺母。

注意: 在锁紧螺母转紧后, 不可调整排水本体的位置, 否则会破坏油灰密封。去除多余的油灰。

将提拉杆组件(32)插入出水口后侧孔。根据所选脸盆尺寸, 选择排水器与水龙头提拉杆的连接方式。

方式一: 选用接头(31)

接头(31)大孔(34)套到球杆(30)上, 将提拉杆下部插入接头小孔中。调整提拉杆的高度, 使提拉杆头底部同龙头本体相距约10mm。将球杆下推到排水器全开位置。锁紧接头上的螺钉(33)。



How To Install The Drain

Uninstall the stopper(18), drain flange(20) and washer(21) from drain body(25). Slide washer onto the underside of the drain flange. Uninstall the tailpiece(27) from the drain body. Supply enough tape or sealant to tailpiece thread. Reinstall the tailpiece. Insert the drain body with gasket(22), steel washer(23) and locknut(24) into the lavatory from underside, with the drain lever hole(26) facing the rear.

NOTE: If necessary, apply a ring of plumbers putty around the underside of the drain flange, instead of using washer(21).

Thread the drain flange onto the drain body. Handtighten the locknut from the underside of the lavatory. Place stopper into drain body, aligning the flat side of stopper hole(19) with the drain lever hole.

Take off latch(31) and the retaining nut(28). Fit the plastic washer(29) and retaining nut onto the ball lever rod(30). Insert the ball lever assembly into the drain lever hole(26) and through the stopper hole. Tighten the retaining nut.

Be sure that the ball lever rod points to the back of the lavatory, tighten the locknut.

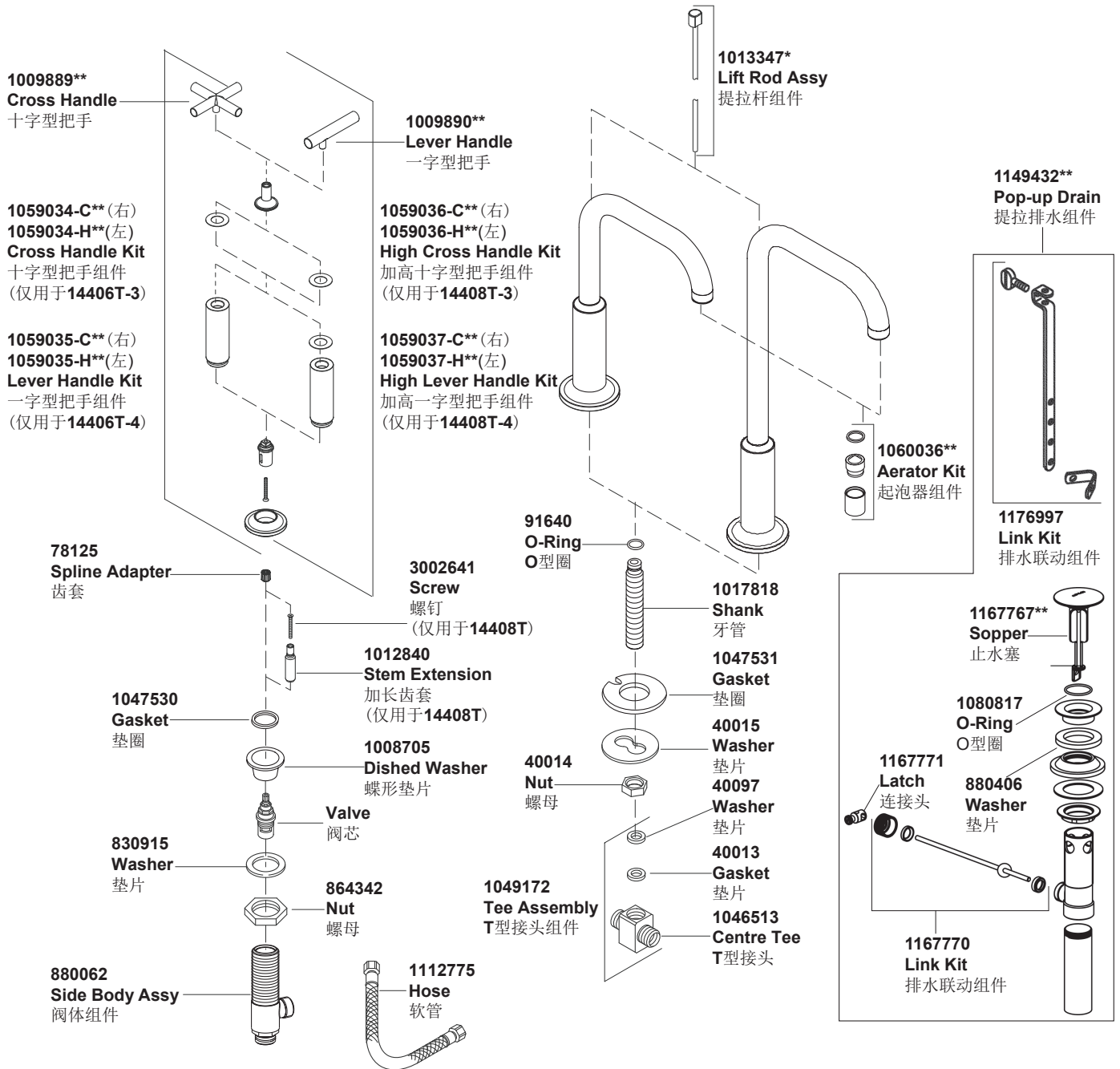
NOTE: Do not reposition the drain after the locknut is tightened, or you may break the putty seal. Remove any excess putty.

Insert the lift rod assembly(32) into the rear hole of spout. Select the connection of the drain and the lift rod according the dimension of lavatory.

Way 1: Select the latch(31)

Insert the ball lever rod(30) into the bigger hole(34) of the latch(31). Insert the lift rod into the other hole of latch. Position the lift rod, ensure the distance between the lift rod knob and the body is about 10mm. Push the ball lever rod down to the open position. Tighten the screw(33) on the latch.

14406T 14408T 8" 脸盆龙头



产品编号	把手	阀芯(左)	阀芯(右)	把手组件
14406T-3**	1009889**	835750	835749	1059034**
14406T-4**	1009890**	835749	835750	1059035**
14408T-3**	1009889**	835750	835749	1059036**
14408T-4**	1009890**	835749	835750	1059037**

**订购时请说明颜色编号

**Color code must be specified when ordering